

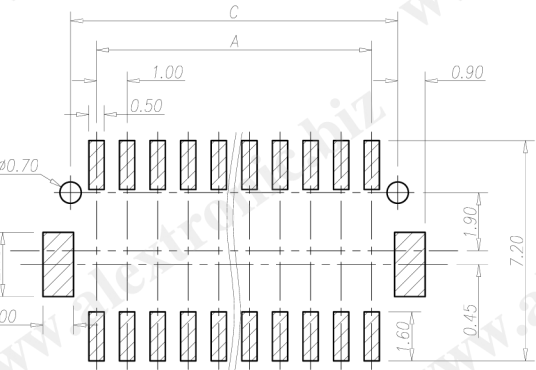
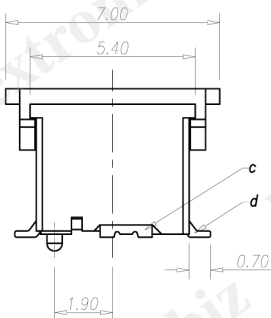
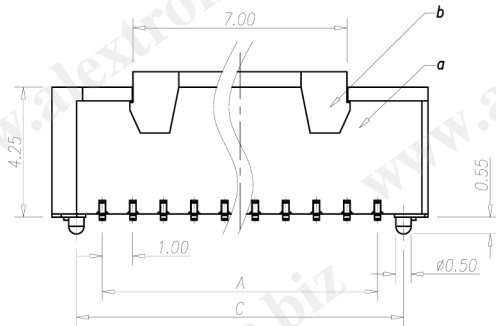
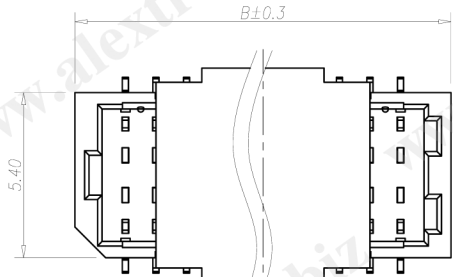
| CATEGORY | DESCRIPTION | P/N # |
|-----------|-----------------------------|-------------------|
| CONNECTOR | 1.0 Wafer 180° SMT Type(雙排) | WB030V-XX060-103S |

WB030V-XX060-103S

See Table 1

Table 1:
Pin Q'TY & Dimension

| Q'TY | Dimension | | |
|------|-----------|-------|-------|
| | A | B | C |
| 20 | 9.00 | 12.30 | 10.70 |
| 30 | 14.00 | 17.30 | 15.70 |
| 40 | 19.00 | 22.30 | 20.70 |
| 50 | 24.00 | 27.30 | 25.70 |



Recommend PCB Layout
(Jack Top View)
Tolerance: ±0.05mm
Recommend PCB Thickness: 1.2mm

Product Drawing
ALETRONIC

| | | See Table 1 | | | |
|-----|-----------|-------------|----------------|-------------------|--------|
| d | Terminal | XX | Brass, T=0.2mm | Matte Tin Plating | |
| c | Peg | 2 | Brass, T=0.2mm | Matte Tin Plating | |
| b | Cover | 1 | PA UL94V-0 | Nature | |
| a | Housing | 1 | PA UL94V-0 | Nature | |
| NO. | PART NAME | Q'TY | MATERIAL | PLATING & COLOR | Remark |

| REV. | ECN NO | DESCRIPTION | REVISED | DATE |
|------|--------|-------------|---------|------------|
| A01 | | New Release | Luguan | 2009.09.15 |

| | | | | | |
|---|--|-------------------------------|-------------|-------------|------------|
| UNLESS OTHERWISE SPECIFIED TOLERANCES | | SCALE:1/1 | UNIT: mm | ⊕ ⊖ | DWG.NO: |
| | | SIZE: A3 | PAGE:1 OF 1 | REV:A01 | |
| DECIMALS: X :±0.5 X.X :±0.3 X.XX :±0.2 | | ANGLES: X :±2° X.X :±1' | | APPROVED BY | CHECKED BY |
| | | | | WYX | Pengjie |
| | | | | | Luguan |
| CUSTOMER COPY | | | | | |